



**arlight**

## Модуль IM3W-12V White 6000K (3 LED)



### SUMMARIZATION:

Waterproof Tri-chip 3LEDs Module adopts 3 pcs of Tri-chip LED as its luminous body, this product has good ability, wide beaming angle, and perfect design. ABS Engineering Plastic Housing glued with epoxy makes the product wholly waterproof ( IP 65).

Easy installation can be realized with two mounting holes and 3M tape on the back. This product can be widely used for signs, logos, cove lighting, channel letter, etc

### SPECIFICATION:

- Size: 82.5\*17\*5.8mm
- IP Class: IP65
- Beaming Angle: >120
- Weight: 10g

### FEATURES:

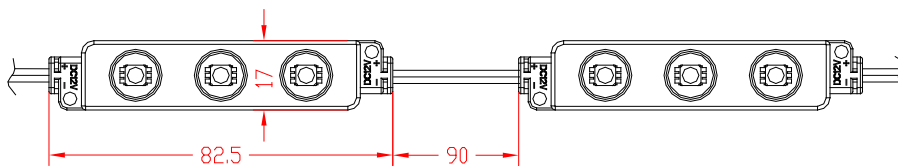
- Green, Energy Saving.
- Low voltage: DC 12V. High brightness
- Conforming to international standard.
- Absolutely safe and stable.
- Save 90% electricity compared to traditional lights.

### ELECTRICAL SPECIFICATION:

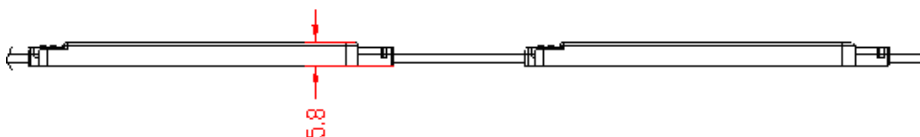
- Input Voltage: 12VDC
- Power Consumption: 0.72W/PC
- Power Supply: Waterproof 30W-12V-2.5A; 60W-12V-5A; 150W-12V-12.5A  
Non-waterproof 55W-12V-4.6A; 150W- 12V-12.5A; 300W-12V-25A

### DIAGRAM:

#### • Top View:



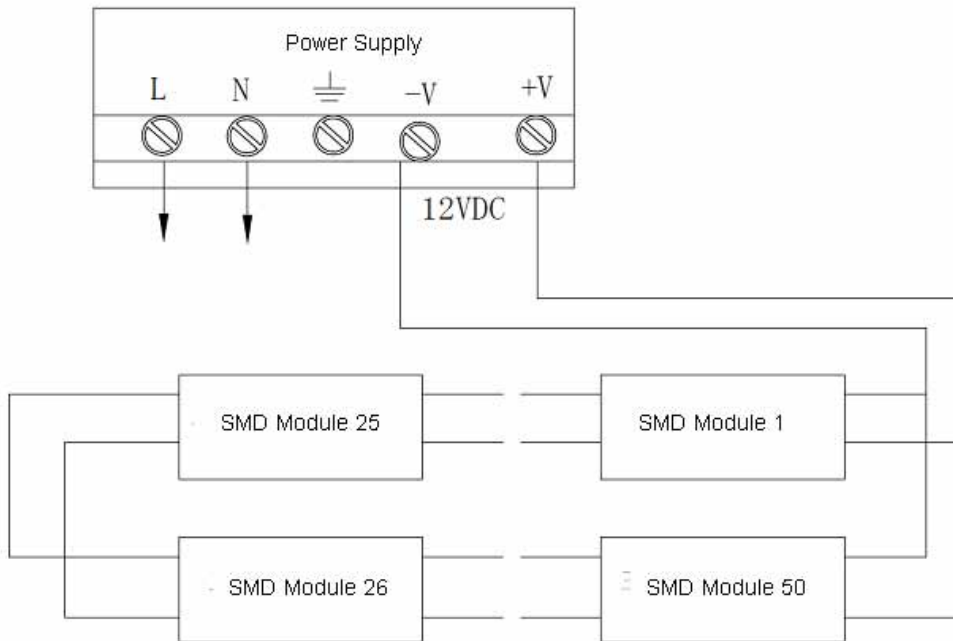
#### • Side View:



### ATTENTION:

- To ensure the longevity and stability, please do not hit or beat the module forcibly.
- Please do not install it in totally expose d outdoor environment.
- Advised distance between the module base and light box cover be within 100-150mm, and the distance between centers of 2 modules be 80 -100mm.

## CONNECTING DIAGRAM:



### WARNING:

- **Do not touch INPUT PORT when power is on.**
- **Please leave 20% power free to protect the brightness from being influenced by environments.**
- **Install modules at desired installation spot.**
- **Please note the negative and positive polarity when connected to power supply. (Wire with letter is "+", with red line "-".)**